



Operating Instructions



ATH-Frame Lift

35FZ

Serial number: C082061205677



ATH-Heinl GmbH & Co. KG | Gewerbepark 9
D-92278 Illschwang | Germany | www.ath-heinl.de


Stand: September 2021. Fehler und Irrtümer vorbehalten. Verkauf nur über ATH-Vertriebspartner.



Contents

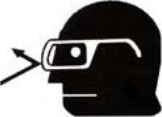
1.0	INTRODUCTION	- 3 -
1.1	General Information.....	- 3 -
1.2	Description.....	- 4 -
1.3	Operation.....	- 5 -
1.4	Technical Data	- 8 -
1.5	Scale Drawing	- 10 -
2.0	INSTALLATION	- 12 -
2.1	Transport & Storage Conditions	- 12 -
2.2	Unpacking the machine.....	- 12 -
2.3	Delivery Contents	- 13 -
2.4	Location.....	- 13 -
2.5	Fixing	- 15 -
2.6	Electrical Connection.....	- 15 -
2.7	Pneumatic Connection.....	- 15 -
2.8	Hydraulic Connection	- 16 -
2.9	Assembly	- 16 -
2.10	Completion of Work.....	- 21 -
3.0	OPERATION	- 22 -
3.1	Operating Instructions	- 22 -
3.2	Basic Information	- 23 -
4.0	MAINTENANCE	- 24 -
4.1	Consumables for installation, maintenance and servicing.....	- 24 -
4.2	Safety Regulations for Oil	- 25 -
4.3	Notes	- 26 -
4.4	Maintenance or Service Plan	- 26 -
4.5	Troubleshooting / Error Display and Solutions	- 27 -
4.6	Maintenance and Service Instructions.....	- 29 -
4.7	Disposal.....	- 30 -
5.0	EG-/EU-KONFORMITÄTSERKLÄRUNG / EC-/EU-DECLARATION OF CONFORMITY.....	- 31 -
6.0	APPENDIX	- 32 -
6.1	Pneumatic circuit diagram	- 32 -
6.2	Electric circuit diagram.....	- 33 -
6.3	Hydraulic circuit diagram.....	- 34 -
7.0	WARRANTY CARD.....	- 35 -
7.1	Scope of the Product Warranty	- 36 -
8.0	INSPECTION LOG	- 37 -
8.1	Installation and Handover Log	- 38 -
8.2	Inspection Plan.....	- 39 -
8.3	Visual inspection (authorised expert).....	- 40 -
9.0	NOTES.....	- 44 -

1.0 INTRODUCTION

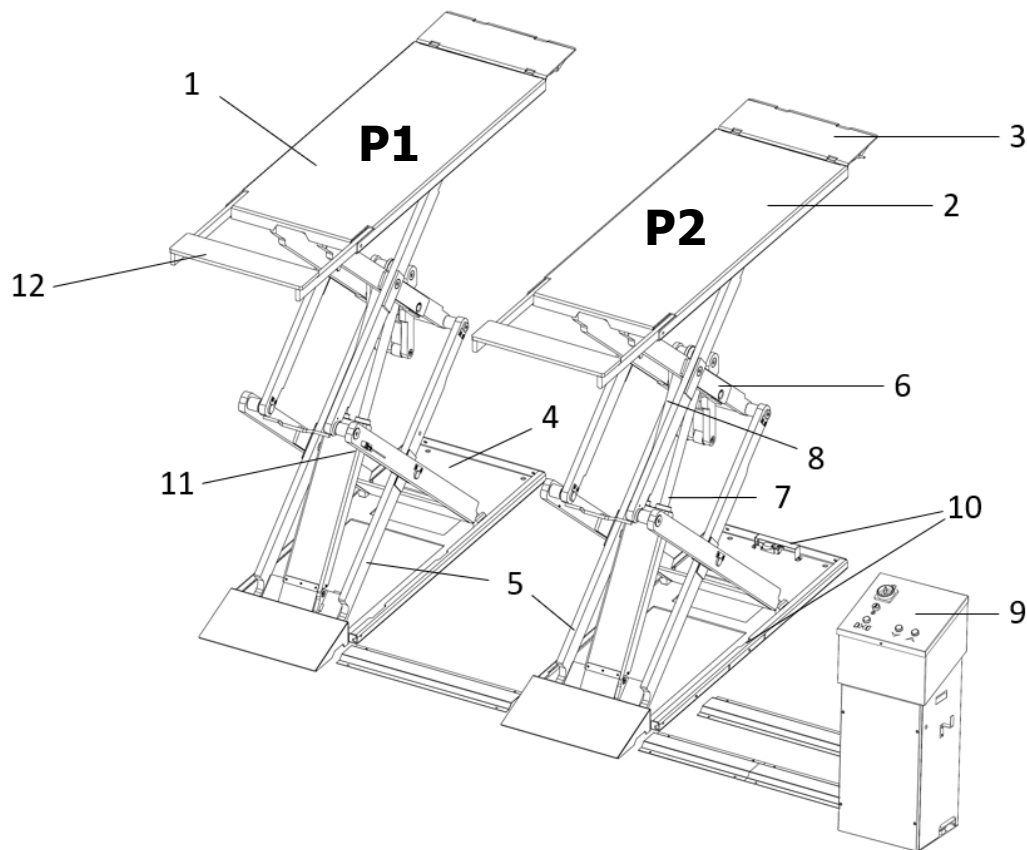
1.1 General Information

	<p>THESE INSTRUCTIONS ARE AN INTEGRAL PART OF THE MACHINE. THEY MUST BE READ AND UNDERSTOOD BY THE USER. NO LIABILITY IS ASSUMED FOR ANY DAMAGES CAUSED BY FAILURE TO FOLLOW THESE INSTRUCTIONS OR THE VALID SECURITY PROVISIONS.</p>
---	--

	<p>WARNING: Follow the instructions to prevent injury or damage.</p>
	<p>TIP: Provides more information on functionality and tips for using the device efficiently.</p>

	<p>Appropriate protective clothing must be worn for all work on the described system.</p>
--	---

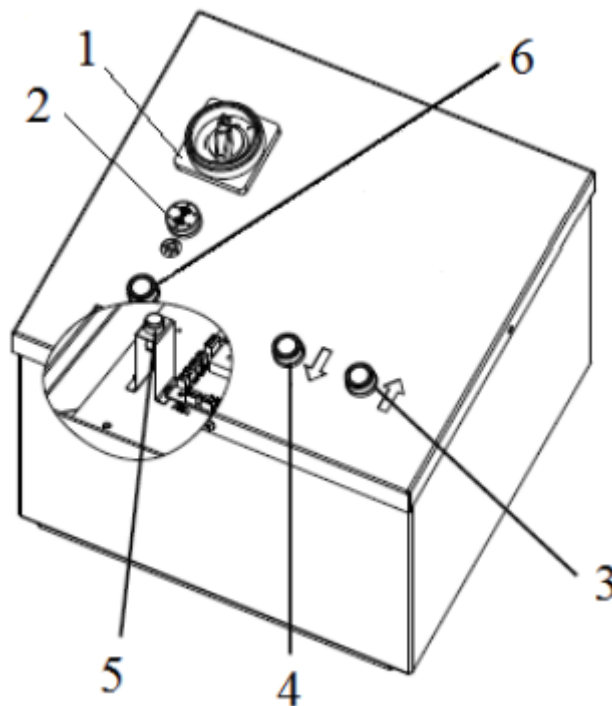
1.2 Description



Main components

1. Lifting platform (P1)
2. Lifting platform (P2)
The platforms are moved upwards with internal hydraulic cylinders and the scissor principle. The hydraulic safety device prevents the lift lowering unintentionally.
3. Access ramp
Allows the lifting ramp to be extended.
4. Base frame
Fixing the lift
5. Lower scissors
6. Upper scissors
7. Main cylinder
8. Slave cylinder
9. Hydraulic power unit with control box (dead-man system)
The hydraulic oil in the tank is fed to the cylinder via a gear pump driven by the motor. A lowering valve returns the oil to the tank.
10. CE stop & limit switch.
The CE stop stops the lift descending at a height of 500 mm. The limit switch terminates the lifting process when the maximum lifting height is reached, protecting the hydraulic system.
11. Light barrier
Ensures secure synchronisation of the two scissors.
12. Extensions
Enables an extension of the lifting platforms.

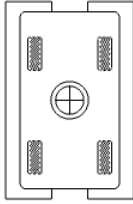

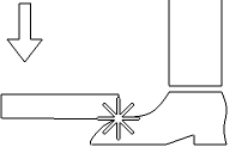
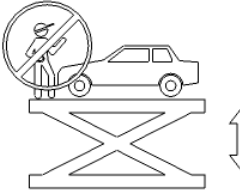



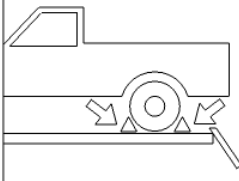
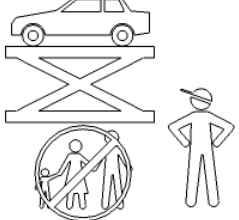


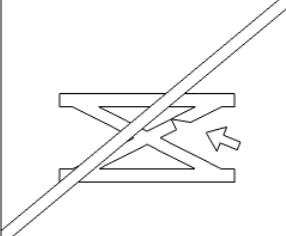
1.3 Operation



1. Lockable main switch with emergency stop function to switch the lifting platform on and off and to prevent operation by unauthorised persons.
2. Alarm gives an acoustic and visual signal when the CE stop is reached
3. Lifting button raises the lifting platform
4. The lowering button lowers the lifting platform
5. Button for bridging the limit switch Suitable for bleeding the hydraulic cylinder
6. Button for bridging the light barrier allows synchronisation adjustment

Usage


Safety Instructions

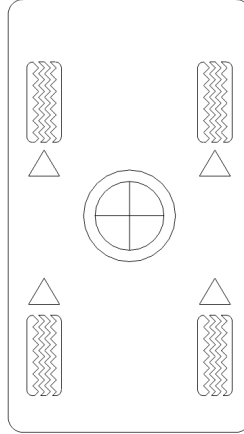
<ol style="list-style-type: none"> 1. Ensure there is correct weight distribution of the vehicle 2. Changes to the lift of any kind are not permitted 3. Leave the danger zone when lowering the lift 4. The danger zone must be kept clear when lifting and lowering 5. If there is a danger of the vehicle falling, you must immediately leave the danger zone 6. Avoid the lifted vehicle swaying 7. Moving the vehicle on the lift is not permitted 8. Lift may only be operated by trained personnel. 9. Use roll-off protection 10. Only authorised persons are allowed to enter the danger zone. 11. Proper maintenance and inspections are necessary for safe work 12. Read and understand the operating instructions before operating the lift 13. Do not work on damaged lifts 			
			
			
			

 Replace damaged danger signs.

The product is intended for lifting vehicles. The corresponding technical data for the lift must be observed.

1. Preparation

- a.  Carefully read all safety instructions before operating the lift.
- b. Completely lower the lift.
- c. Position the vehicle centrally between the scissors, paying attention to the load distribution.



- d. Place the rubber plate CENTRALLY under the original lifting points of the vehicle.

2. Lifting

- a. Switch on the lift with the main switch
- b. Lift the vehicle to a height of 100-150mm and stop lifting by releasing the lift button.
- c. Check that the vehicle is safely on the lift.
- d. Continue lifting and watch the lifting process.

3. Lowering


- a. Before lowering, check for any objects under the vehicle.
- b. Press the lower button.
- c. When the CE stop is reached, the lower button must be released and then pressed again.

4. Finishing

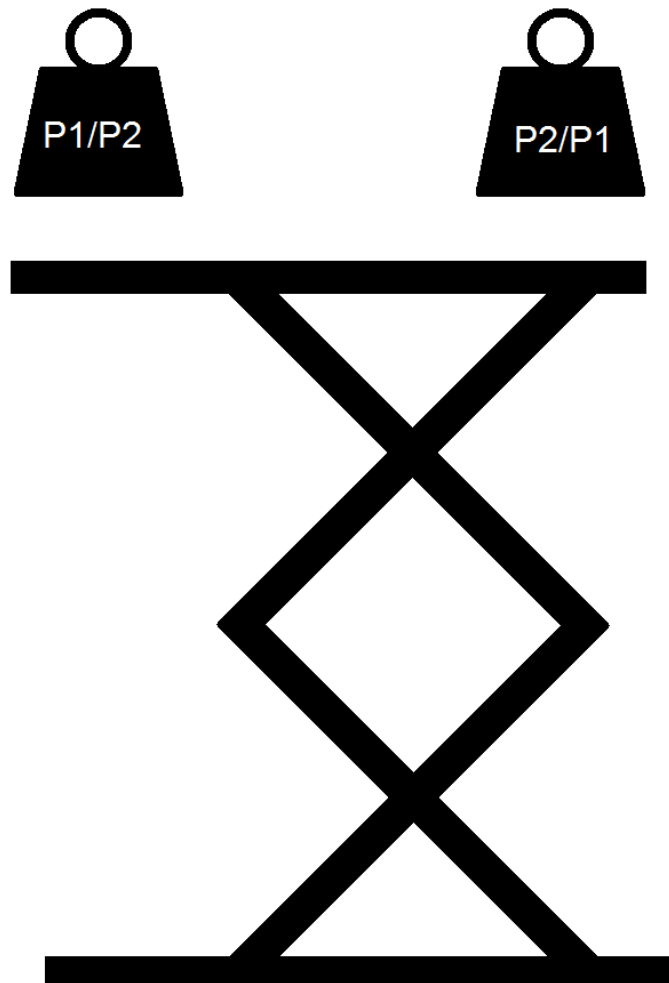
- a. Completely lower the platform.
- b. Remove the rubber plate.
- c. Drive the vehicle off the lifting platform.

1.4 Technical Data


Model	ATH Frame Lift 30FZ
Load capacity	3,500 kg
Lift time	Ca. 52 s
Lower time	Ca. 52 s
Electric system	3/400V/50Hz
Control voltage	DC24V
Motor	2.6 kW
Rotation speed	1,375 rpm
Upstream fuse	3 C 16 A
Connection cable	Min. 5 x 1.5 mm ²
Protection type	IP 54
Working pressure ²	260 -280 bar
Recommended hydraulic oil	Summer: H-LPD 46 (e.g.: OEST H-LPD 32 DD L) Winter: H-LPD 32
Oil quantity	12l
Floor anchor Scissors	8 units
Floor anchor Control box	4 units
Floor anchor Bridging track sections	16 units
Permissible sound level	≤ 75 dB (A)/lm
Weight	1090 kg

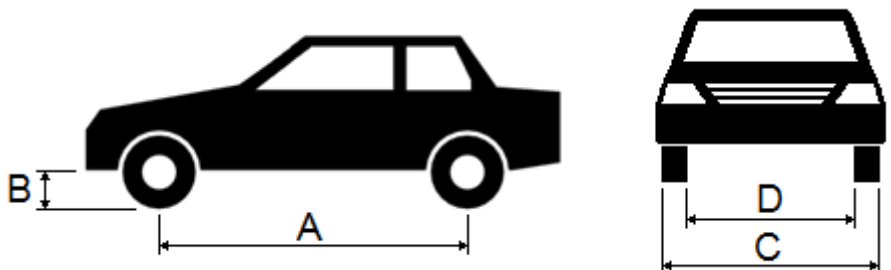
- ²  The factory set working pressure is adjusted to the maximum rated power. The pressure relief valve must not be manipulated. Changing the settings can lead to serious damage. If the stated rated load can not be lifted, please contact our service team.

Load distribution



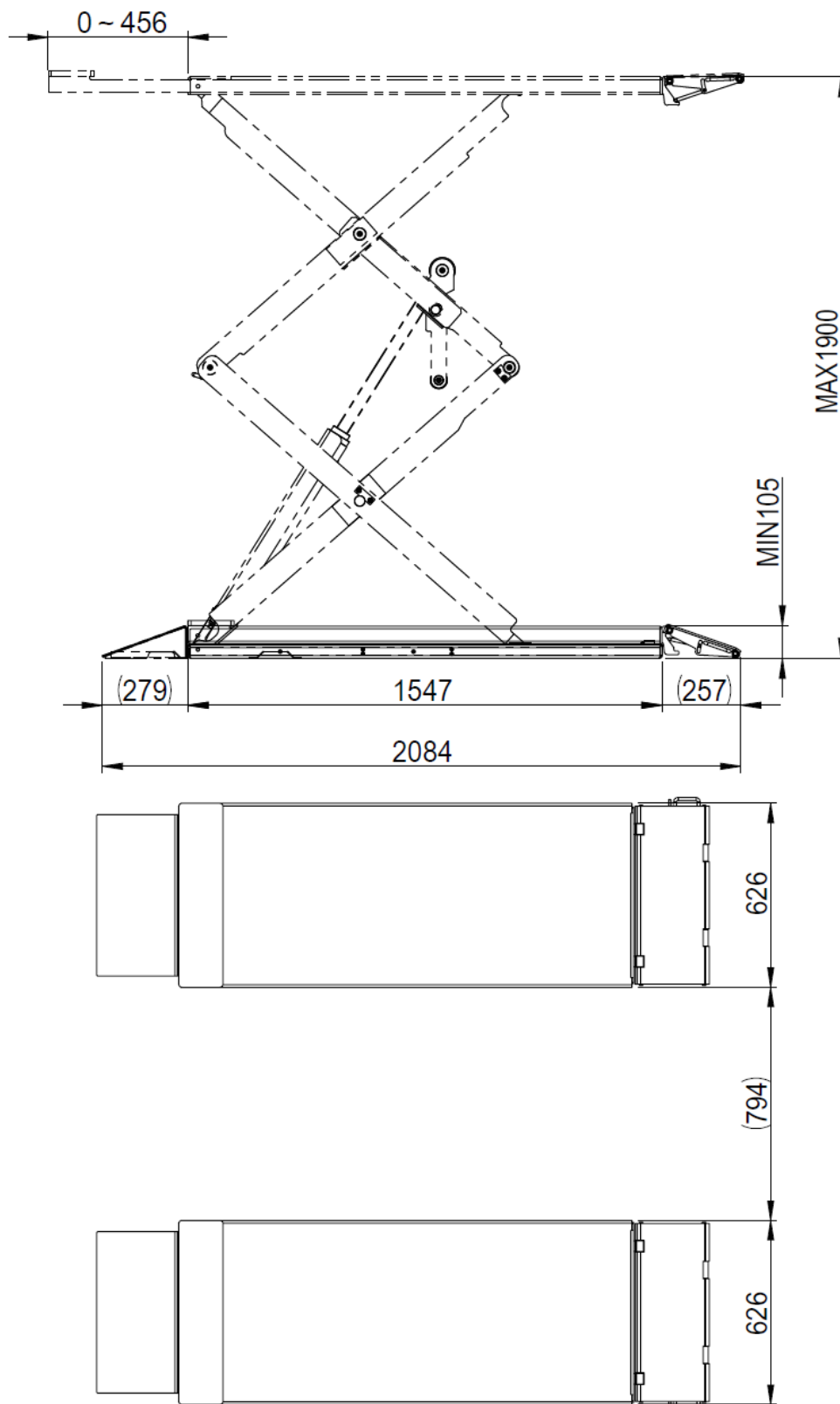
Q	Total weight of the vehicle
P1	Max $\frac{2}{5} \times Q$
P2	Max $\frac{3}{5} \times Q$
Load distribution	$\frac{2}{3}$

- ²  At greater distances, the load capacity of the lift is reduced. In such cases and in other cases not provided for in this manual, please contact the manufacturer.

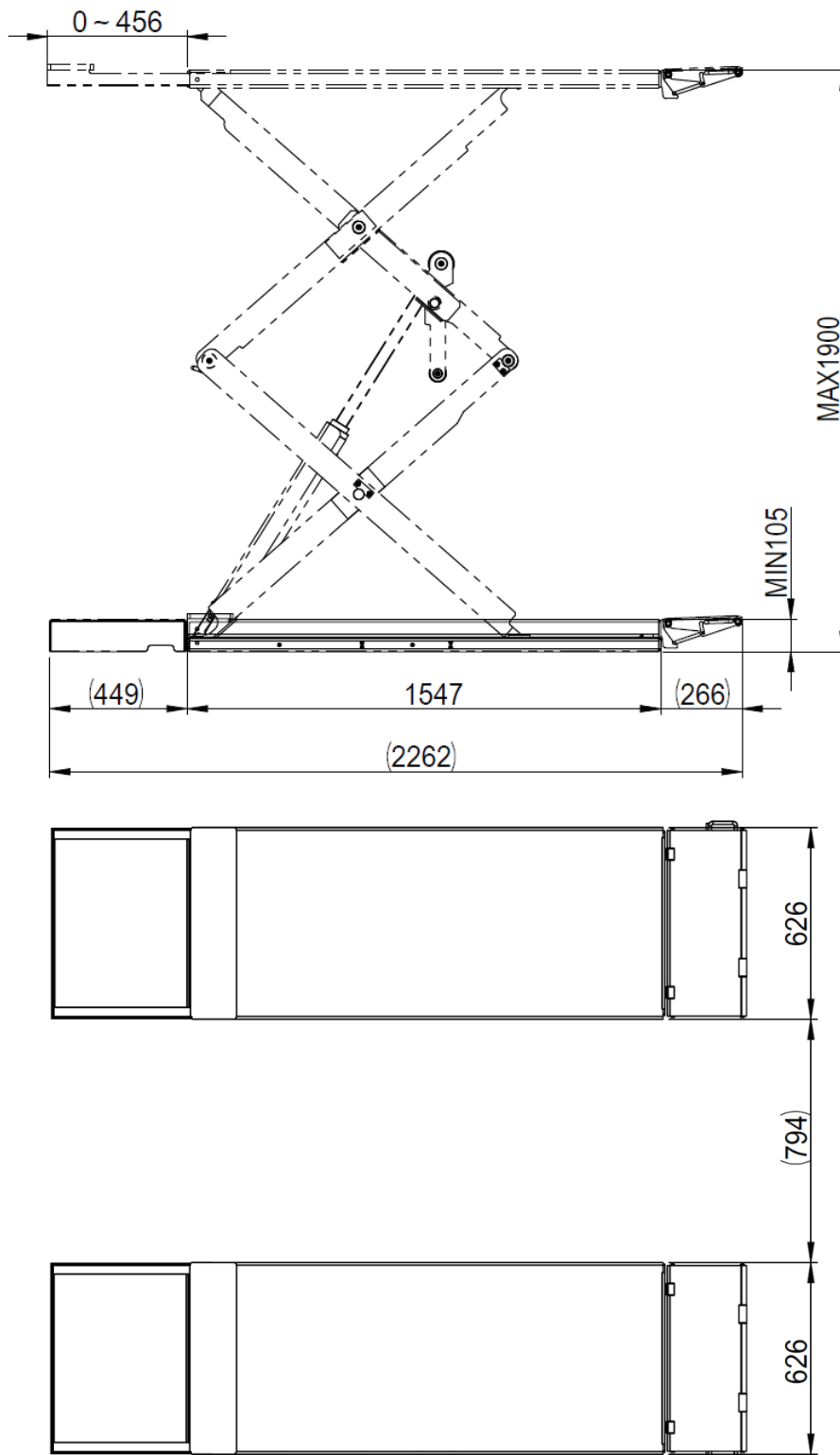
	Min	Max	
A	1,900 mm	4,000 mm	
B	100 mm		
C		1,900 mm	
D	900 mm		

1.5 Scale Drawing

On-Ground Installation




In-Ground Installation



2.0 INSTALLATION

The machine must be installed by an authorised person according to the instructions.

	<p>The operating instructions (including the log) are an important part of the machine / product. !!!PLEASE STORE CAREFULLY!!!</p>
---	---

The product must be checked after completion of the installation, handover, if necessary briefing and then regularly in accordance with the applicable regulations and legal provisions in the country of operation by a suitable and approved company or facility.


2.1 Transport & Storage Conditions

When transporting and positioning the machine, always use suitable lifting and material handling equipment and consider the machine's centre of gravity.

The machine should only be transported with the original packaging.

Data:	----
Width	----
Length	----
Height	----
Storage temperature	-10 to +50 °C

2.2 Unpacking the machine

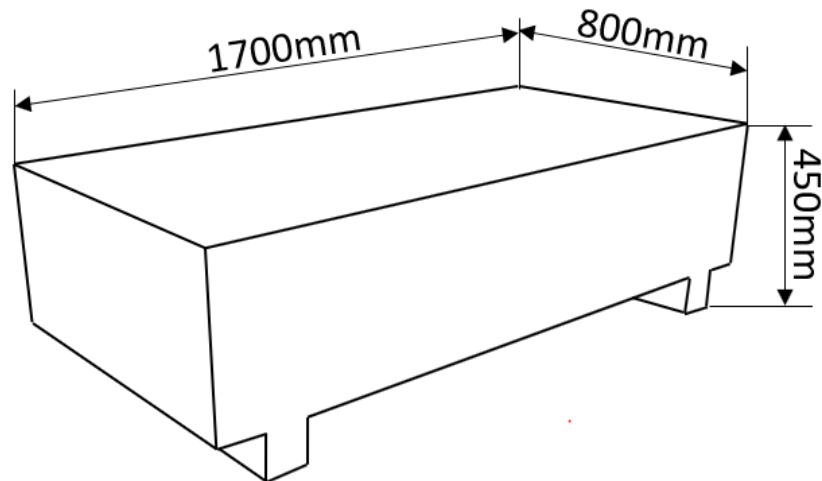
	<p>Remove the top cover of the packaging and make sure that no damage has occurred during transport.</p> <p>Remove the safety bolt to remove the machine from the pallet / rack. Use a suitable lifting device (possibly with a stopping rope) to lower the machine from the pallet / frame.</p> <p>The packaging material used for the machine should be stored carefully. Keep the packaging material out of the reach of children as it may be hazardous.</p>
---	--

2.3 Delivery Contents

- 1 Package with scissors, ramps and drive-over plates:

Dimensions (L x W x H): 1700 x 800 x 450 mm

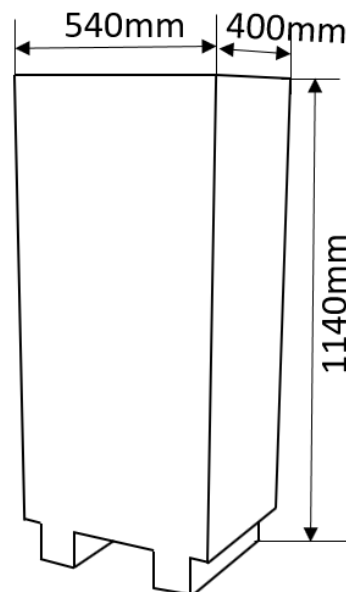
Weight: 960 Kg



- 1 Package with control box, hydraulic and pneumatic hoses:

Dimensions (L x W x H): 400 x 540 x 1,140 mm

Weight: 130 Kg



If something is missing, please contact our sales department.

Transportation and storage:

- Lift with care, using suitable means of support for the load, in perfect working order and using the special hooking point.
- Avoid sudden jolts and tugs, watch out for uneven surfaces, bumps etc.
- After removing the packing, check that they are taken to special waste collecting areas inaccessible to children and animal as long as they are not disposed.
- Warehouse temperature: -25°C ~ +55 °C

2.4 Location

The machine should be kept away from flammable and explosive materials, as well as from sunlight and intense light. The machine should be placed in a well-ventilated location.

The machine must be set up on sufficiently firm ground, if necessary, according to the minimum requirements of the information given in the foundation plan.

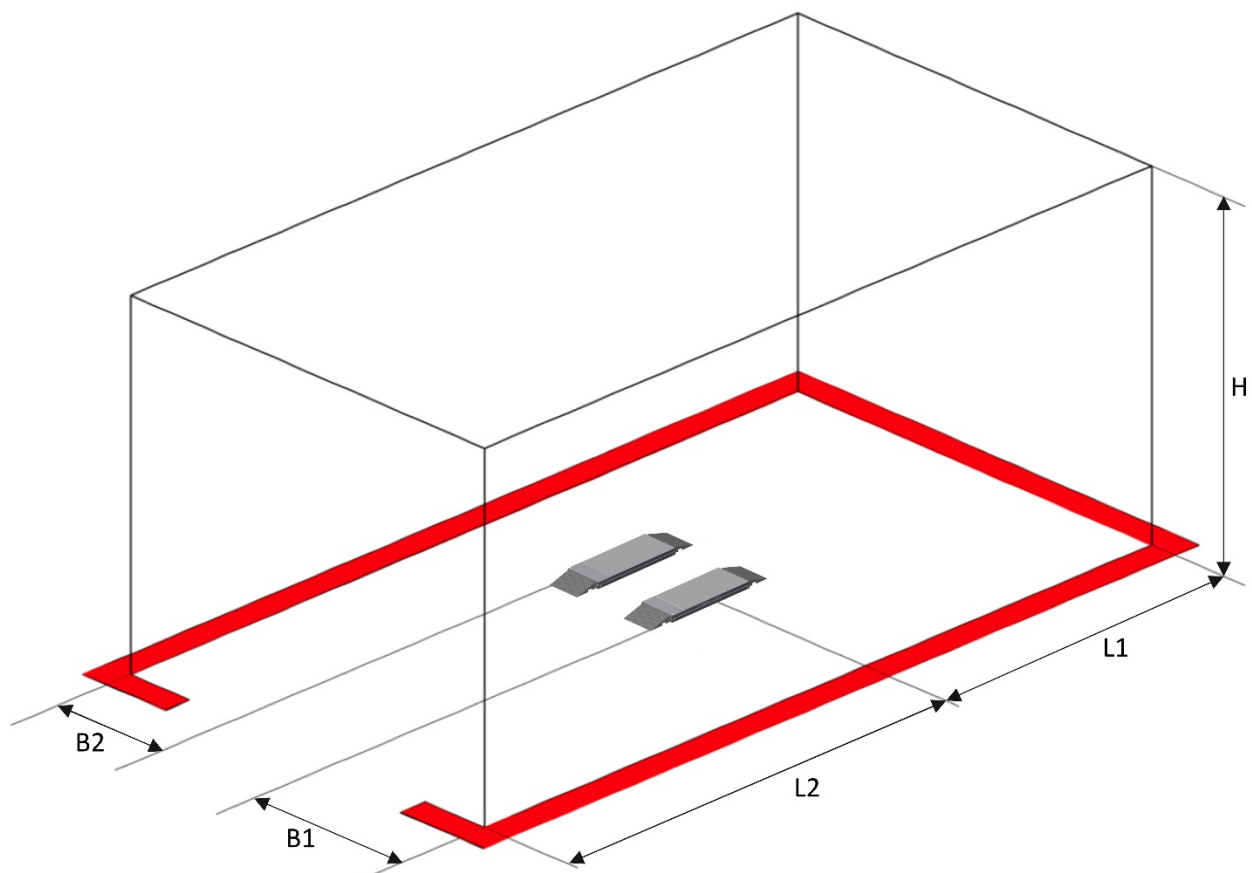
In addition to the ground conditions, the guidelines and instructions of the accident prevention regulations as well as the workplace regulations must be observed when selecting an installation site.

When assembling on floor coverings, check their load-bearing capacity. A construction expert should be consulted for inspection when mounting on floor coverings.

The machine should only be mounted and used within closed rooms. It has no corresponding safety features (e.g. IP protection, galvanised design, etc.).

Temperature	4-40 °C
Sea level	< 1500 m
Humidity	50% at 40 °C – 90% at 20 °C

Drawing



B1	1,000 mm	B2	1,000 mm
L1	Approx. 2,800 mm	L2	Approx. 2,800 mm
H	Approx. 4,000 mm		

2.5 Fixing



General and local regulations must be observed. Therefore, these steps should only be carried out by a trained professional.

The machine must be set up and fixed on sufficiently firm ground, if necessary, according to the minimum requirements of the information given in the foundation plan.

The machine must be fastened at the points provided with suitable or specified fastening material.

In addition to the ground conditions, the guidelines and instructions of the accident prevention regulations as well as the workplace regulations must be observed when selecting an installation site.

When assembling on floor coverings, check their load-bearing capacity. A construction expert should be consulted for inspection when mounting on floor coverings.

2.6 Electrical Connection



General and local regulations must be observed. Therefore, these steps may only be carried out by a trained professional.
Pay attention to the necessary supply line (see technical data).

The connection should be made with a 230V Schuko plug or 5-phase 16 A CEE plug (partially included).

Voltage deviations should be 0.9 - 1.1 times the nominal voltage range and the frequency deviation should be 0.99 - 1.01 times the frequency range.

Necessary protective measures must be taken to guarantee this.

At the end of the work, the direction that the motor rotates (at 400V) must be checked.

2.7 Pneumatic Connection



For all pneumatic systems, a compressed air maintenance unit (partially included) must be installed between the supply line and the system.

The air pressure of the supply line must at least correspond to the technical data.

The compressed air maintenance unit must be set correctly and checked.

The compressed air maintenance unit must be serviced at regular intervals.

The maximum or minimum pressure ensures perfect functioning without any damage.

2.8 Hydraulic Connection



Before the system is put into operation or operated for the first time with oil, the following must be observed with regard to the optimal, trouble-free and almost air-free functioning

All hydraulic lines must be connected and tightened according to the hydraulic plan and, if applicable according to the hose designation.

All hydraulic lines and cylinders must be vented according to the hydraulic plan and, if applicable, according to the hose designation.

In order to ensure the faultless and safe functioning of the system and the hose assemblies used, the hydraulic fluids used must comply with the specific instructions and recommendations of the manufacturer.

Used media that do not meet the specific requirements or which have unauthorised contamination damage the entire hydraulic system and shorten the service life of the hydraulic systems used. Warning: (system contamination can also occur when oil is refilled)

The minimum requirement and minimum oil quantity must be checked and ensured.

2.9 Assembly



These instructions are not to be viewed as assembly instructions; hints and tips are provided only for trained expert installers. Suitable clothing and personal protection must be worn for the following work.
Incorrect installation and settings lead to exclusion of liability and warranty.

Partly pre-assembled machines must be checked, introduced and approved by a competent person before commissioning.

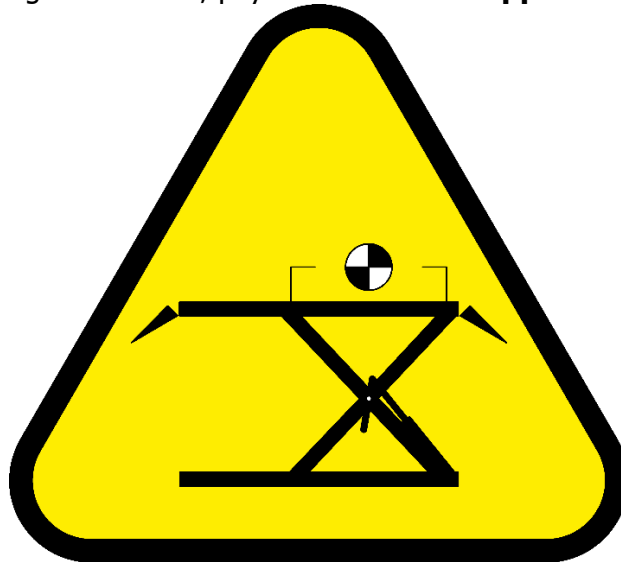
Machine assembly must be carried out by a qualified and competent person.

INSTALLATION

The lift must **not** be installed in **damp, wet** or **potentially explosive** areas.

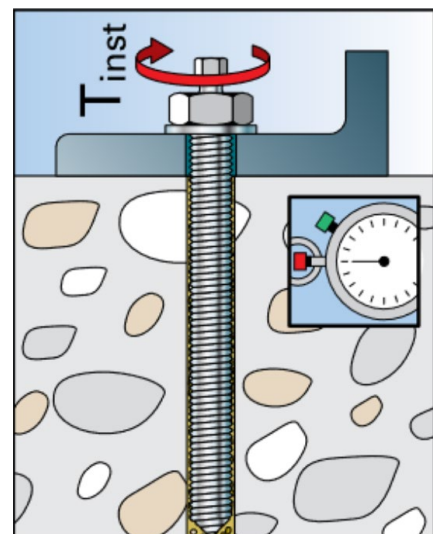
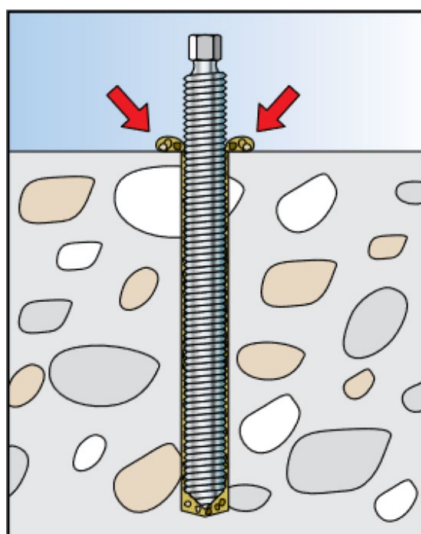
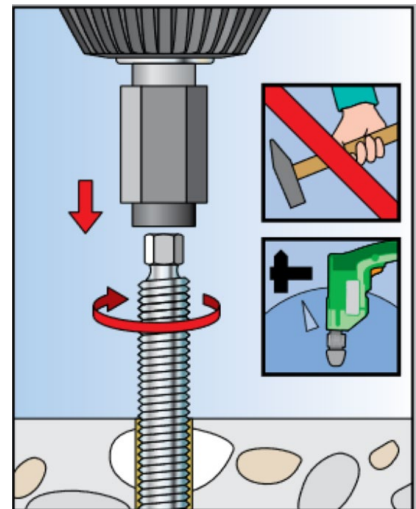
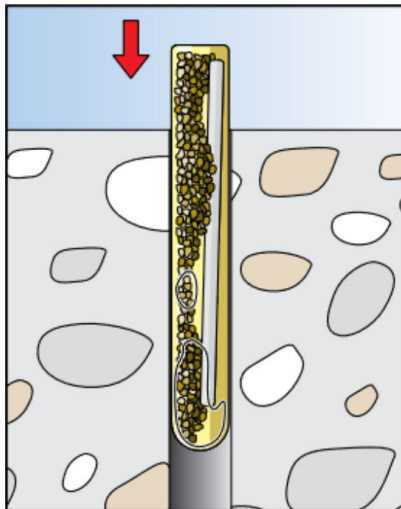
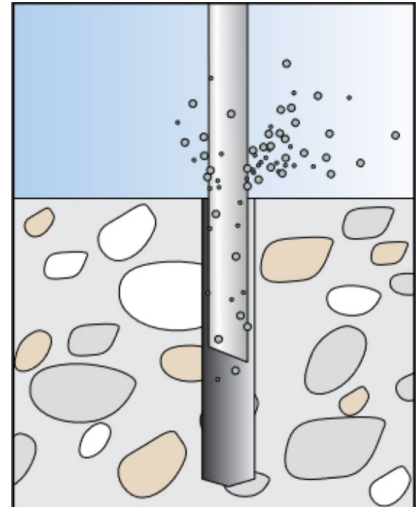
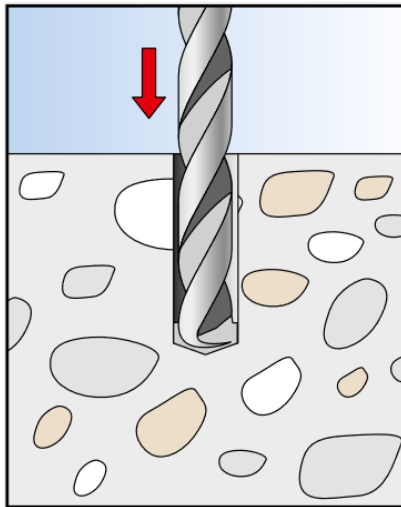
Assembly

1. Setting up and aligning
 - a. The assembly position can be marked using chalk.
 - b. When assembling the scissors, pay attention to the **approach direction**.



- c. Position the control box as indicated in the specifications.

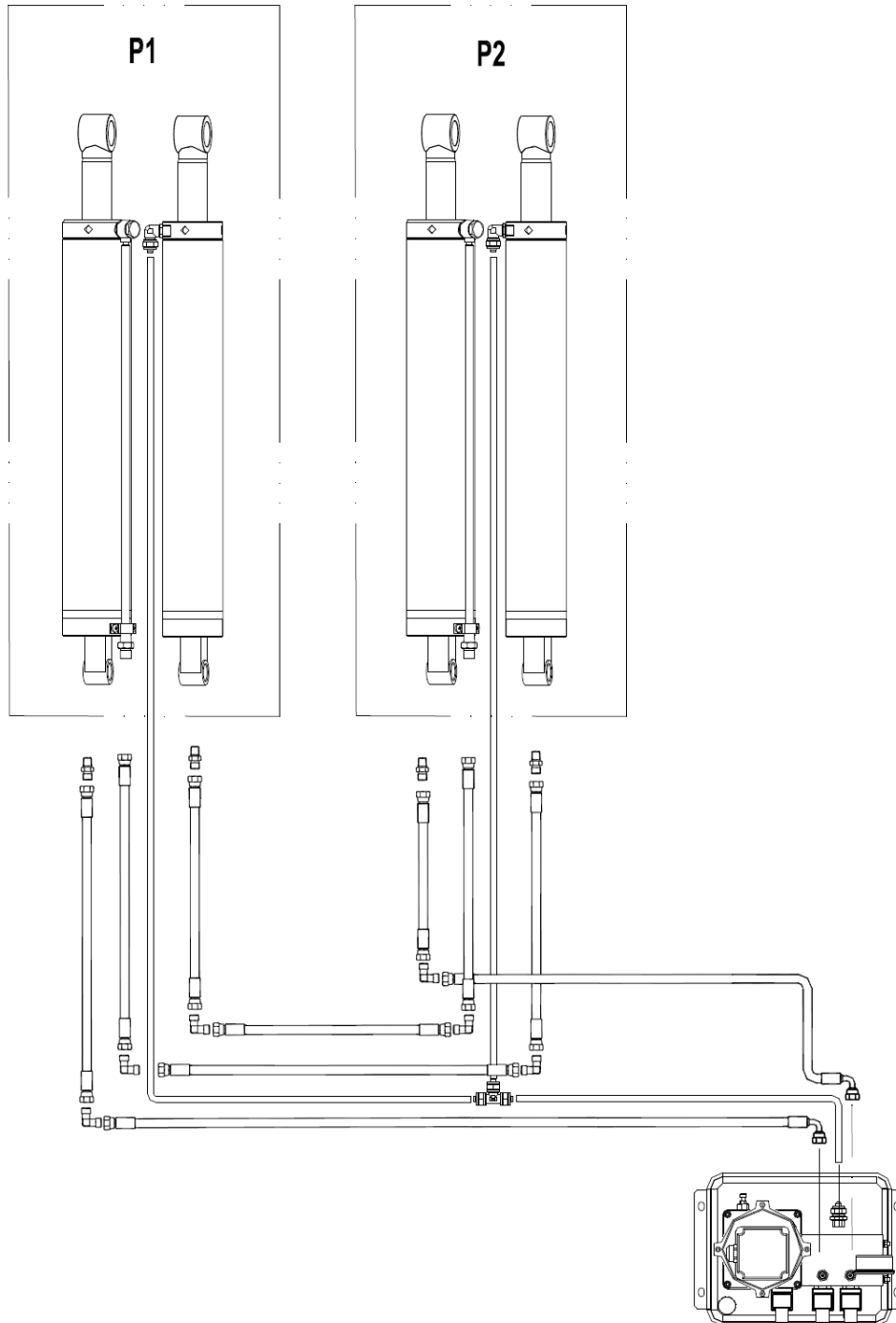
2. Fixing with safety anchor:



3. Establish hydraulic connection
 - a. First, open the front cover of the control box
 - b. Install the hydraulic hoses as shown below.




Tighten all hydraulic connections.
Ensure that no moving parts can damage the hydraulic hoses.



4. Hydraulic oil
 - a. Fill hydraulic oil up to marking

5. Electrical connection

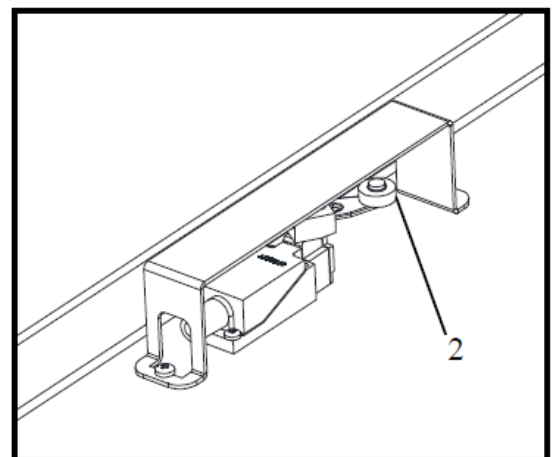
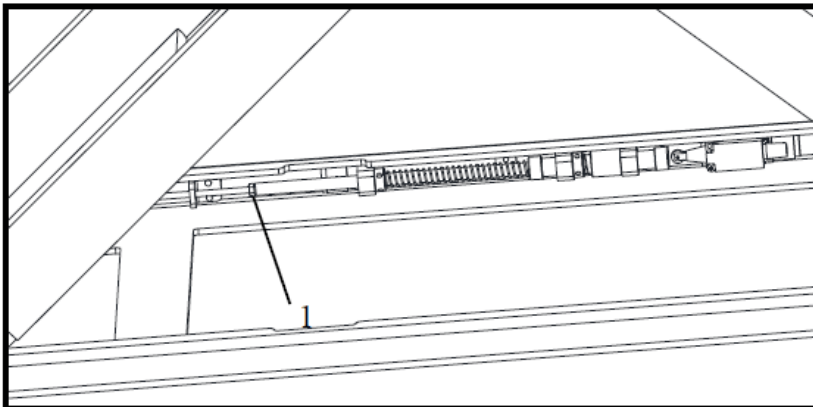
-  General and local regulations must be observed. Therefore, these steps may only be carried out by a trained professional.
Pay attention to the necessary supply line (see technical data).

6. Check before first lifting

- a. Check all bolts, nuts, etc. are tight
- b. Check all connections and cylinders for leaks and tighten if necessary
- c. Check that all buttons works
- d. Observe the motor rotation direction
- e. Bleed the hydraulic circuit as described in the Maintenance chapter.
For the first lifting operation lubricate the slides of the scissor arms (See lubrication schedule for grease type)

7. Correctly set limit switch


- a. To set the maximum lift, position the lift at a height of 1,900mm
- b. Loosen the nuts (1) at the limit switch and set it
- c. Tighten the nuts (1) again
- d. To set the CE stop, position the lift at a height of 400mm
- e. Adjust the lever (2) position at the desired height;
- f. Tighten the lever after adjustment.



8. Lifting under load

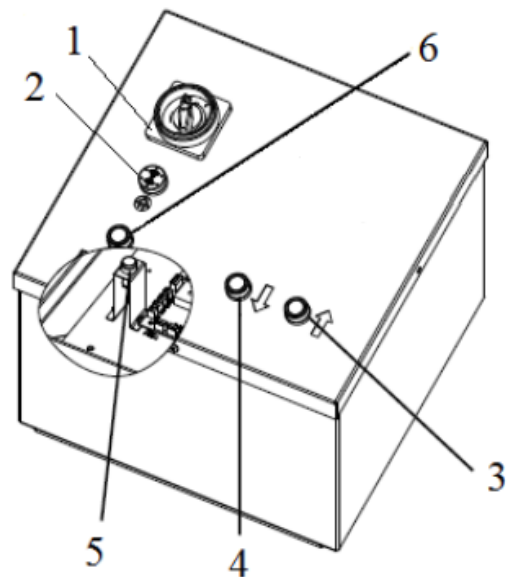
- a. Lift a load to a height of approx. 1,000 mm, check the synchronisation and adjust if necessary
- b. While continuing to lift, pay attention to the synchronisation
- c. Lower the load and mount the missing covers or ramps

9. After setting up, fill in the attached inspection log.

-  This information is needed in case of service.

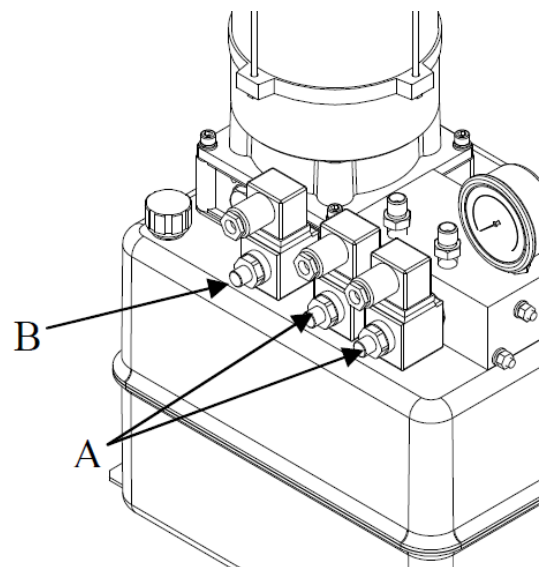
Bleeding the hydraulic system

1. After first filling with hydraulic oil, the lift button must be pressed for about 30 seconds to pump the oil into the hydraulic system.
2. Lift the lift up to the maximum lift height. (This may NOT exceed 1,900mm)
3. Open the upper cover of the control box and press the button to bypass the limit switch (5) and the button to bridge the light barrier (6) for a few seconds until both scissor platforms are at the same height.
4. Completely lower the lift by pressing the lowering button.
5. Repeat lifting and lowering operations at least twice more



Emergency lowering in the event of a power failure

1. Switch off the lift with the main switch and secure it against being switched on again
2. Open the front cover of the control box
3. Loosen the safety valve screw (A) by turning it counter-clockwise
4. The lowering movement of the lift is triggered by loosening the lowering valve screw (B).
!!! WARNING!!!: The lowering speed can be adjusted with this screw!
5. After fully lowering the lift, all screws must be tightened again.



2.10 Completion of Work



Before commissioning, check all fastening screws, electrical, pneumatic and hydraulic lines and, if necessary, tighten these. Warning: in some cases, this must be checked at regular intervals and tightened if necessary (note in the instructions).

3.0 OPERATION

3.1 Operating Instructions

Company:	Operating Instructions	Date:
Place of work:	for Lifting Platform	Signature:

Risks to People and the Environment



- Falling of loads or parts
- Crushing and shearing points when moving the lifting platform
- Danger due to uncontrolled moving parts



Protective Measures and Rules of Conduct

Before starting work:



- Lifting platforms may only be used independently by trained persons over the age of 18 who have been instructed in writing.
- When working with more than one person, a supervisor must be appointed
- Daily functional check
- Observe the manufacturer's operating instructions



During operation:

- Pay attention to crush and shear points in the environment
- Do not load the lifting platform above the permitted maximum load
- Do not lift people
- Do not shake the lifting platform, avoid rocking.
- When lowering, do not stand in the lifting platform movement area
- Arrange regular checks of the lifting platform

Response to faults and hazards

- In case of fault, stop the lifting platform immediately
- Secure against further use
- Report defects to the installer or manufacturer

First Aid



- Inform first aiders (see alarm/emergency plan)
- Treat injuries immediately
- Enter into the accident book
- Contact emergency services for serious injuries

Emergency number: _____
Ambulance service: _____

Maintenance

- Repair only by instructed and trained persons
- Disconnect or secure the lifting platform from the mains power supply for set-up, adjustment, maintenance or servicing
- Clean the lifting platform after operation and check the hydraulic level
- **Annual check** of the lifting platform by an authorised and trained person

3.2 Basic Information

Independent operation of the machine may only be carried out by persons over the age of 18 who have been trained in the operation of the machine and have demonstrated their ability to do so to the employer. They must be expressly contracted by the employer to operate the machine. The order to operate the machine must be given in writing.

The machine must only be used for its intended use.

Always use appropriate material during installation and operation.




Before assembly or disassembly check all components for damage.

If necessary, observe special manufacturer instructions for mounting or dismounting of vehicle-specific work.

An important part of the guarantee / warranty is fulfilment of the maintenance plan. This includes in particular, ensuring cleanliness, corrosion protection, checks and repairing damages immediately if required.

During operation attention should always be paid to hazards. As soon as dangers occur, switch off the machine immediately, remove the mains plug and disconnect the air supply. Then contact your dealer.



All warning labels must always be easy to read. If damaged, they must be replaced immediately.

	<p>Pay attention to possible shearing points around the machine.</p>
	<p>During operation, the noise can reach 85dB (A), so the operator should take appropriate protective measures.</p>
	<p>Moving parts of the machine can catch loose clothing, long hair or jewellery.</p>

4.0 MAINTENANCE

The user must maintain the machine regularly to ensure safe operation.

Repair work may only be carried out by authorised service partners or after customer consultation with the manufacturer.

	<p>Before maintenance and repair work:</p> <ul style="list-style-type: none"> - The machine must be disconnected from ALL supply networks - Pull main switch out of mains plug, if necessary, discharge compressed air from system - Appropriate measures must be taken against a restart
	<p>Work on electrical elements or on the supply line may only be carried out by experts or electricians.</p>

4.1 Consumables for installation, maintenance and servicing

Hydraulic Oil

General minimum requirement:

Eni PRECIS HVLP-D Item No. 00066018

Summer (15° to 45°): HVLP-D 46 (e.g.: Eni PRECIS HVLP-D)

Winter (under 10°): HVLP-D 32 (e.g.: Eni PRECIS HVLP-D)

Minimum requirement **especially for 2-post lifts:**

Eni PRECIS HVLP-D Item No. 00067218

Summer (15° to 45°): HVLP-D 32 (e.g.: Eni PRECIS HVLP-D)

Winter (under 10°): HVLP-D 22 (e.g.: Eni PRECIS HVLP-D)

Preservative for ropes, welds, screws, corners, edges and cavities.

Minimum requirement:

Petec spray translucent - 500 ml Item No. 73550 / Petec wall inlet translucent - 1000 ml Item No. 73510

Petec UBS pistol Item No. 98507

Slideway lubricant

Minimum requirement:

STORER WHS 2002 White EP high performance grease. Item No. KPF1-2K-20

Lubricant for bushes, chains, rollers & moving parts

Minimum requirement:

White ultra lube, 500 ml aerosol. Item No. 34403 – WUL – White Ultra Lube

Floor anchor

Minimum requirement **for lifting platforms:**

Fischer FIS A M 16 x 200 galvanised in combination with Fischer Superbond reaction cartridge

Minimum requirement for **passenger car and passenger car/truck balancing machine:**

Impact anchor M8 x 100

Minimum requirement **for truck mounting machine:**

Impact anchor M12 x 100

Compressed air system

Minimum requirement:

PROMAT chemicals special compressed air oil Item No.: 4000355209

Cleaning

Minimum requirement:

Caramba intensive brake cleaner acetone-free

Care and protection of metals, painted or powder-coated surfaces

Minimum requirement:

Petec spray translucent - 500 ml Item No. 73550

Petec wall inlet translucent - 1000 ml Item No. 73510

Petec UBS pistol Item No. 98507

Care and protection of metals, painted or powder-coated surfaces in the tread area and plastic parts

Minimum requirement:

Valet Pro Classic Protectant Plastic Sealant 500 ml

4.2 Safety Regulations for Oil

Always observe the legal requirements or regulations for handling used oil.

Always dispose of used oil through a certified organisation.

In the case of leaks, oil must be collected immediately with binders or trays so that it cannot penetrate into the soil.


Avoid any skin contact with the oil.

Do not allow oil vapours to escape into the atmosphere.

Oil is a combustible medium. Pay attention to possible hazards.

Wear oil-resistant protective clothing, such as gloves, goggles, protective clothing, etc.

4.3 Notes

	<p>Regardless of the level of dirt, the machine must be maintained, cleaned and serviced at regular intervals.</p> <p>The machine should then be treated with a care product (such as oil or wax spray). Do not use cleaning agents that are harmful to the skin.</p> <p>IF THE ABOVEMENTIONED POINTS ARE NOT FULFILLED, THE WARRANTY CLAIM IS EXCLUDED</p>
---	---

4.4 Maintenance or Service Plan

Interval	Immediately	Weekly	Monthly	Every 3 months	Every 6 months
Check of ALL safety-relevant parts	X				
Cleaning	X				
Check or restore surface protection	X				
Check for leaks in the hydraulic system	X				
Check or restore surface protection or corrosion protection	X				
Check or restore damage to the paint and components	X				
Check or restore rust damage	X				
Check or treat cavities and non-painted areas	X				
Check for leaks in the pneumatic system	X				
Control the tightness of screws	X				
Check, lubricate & adjust bearing slack	X				
Check wear parts		X			
Check fluids (level, wear, contamination, quality)		X			
Check and lubricate sliding surfaces		X			
Remove any dirt inside			X		
Clean and check electrical components				X	
Check motor and transmission for function and wear				X	
Check welds and construction				X	
Visual inspection (according to inspection plan)					X

4.5 Troubleshooting / Error Display and Solutions

Symptoms	Cause	Solution
Lifting Problems		
Lifting platform does not lift when button is pressed (motor does not run)	Damage to the motor	Check motor and replace if necessary
	Blown fuses from e.g. voltage fluctuations	Remedy the causes and replace the fuses
	Defective button and/or contact	Replace button and/or contact
	Defective main switch and/or contact	Replace main switch and/or contact
	Defective or insufficient supply line	Replace cable
	Fluctuating or incorrect input voltage	Check power
	Defective motor contactor	Replace motor contactor
	Thermal relay has tripped	Check thermal relay and motor
	Limit switch defective or blocked	Check limit switch and replace if necessary
Lifting platform does not lift when button is pressed (motor runs)	Hydraulic oil shortage	Refill oil
	Oil filter blocked	Clean the oil filter
	Oil leakage	Replacement of damaged components
	Opened lowering valve	Check and replace the lowering valve if required
	Motor rotates in wrong direction	Replace phases
	Broken gear pump	Check the pump and replace if necessary
	Permissible load has been exceeded	Work within the specified load
	Pressure relief valve set too low	Set pressure relief valve to maximum load
Lifting platform lifts jerkily	Not enough space between rails	Distance between rails and guide must be 1.5 - 2.5 mm
	Air in hydraulic system	Bleed the hydraulic system
	Contaminated hydraulic oil	Change the hydraulic oil
	Slideways are not lubricated	Lubricate the slideways
Lifting platform continues to lift after releasing the button	Defective button	Replace the defective button

Lowering Problems		
Lifting platform does not lower	Safety catches do not respond	Check cable connection Check electromagnets, replace if necessary Relieve the catches by lifting
	Defective control relay	Check control relay
	Obstruction under platform	Remove obstruction
	Hose rupture protection triggered	Lift the platform briefly and press "DOWN" again
	Lowering valve is not activated	Check electrical connection
	Defective lowering valve solenoid	Replace solenoid
	Defective lowering valve	Replace
	Valve for lowering speed set incorrectly	Set
If the errors cannot be rectified, lower the lifting platform with the emergency lowering screw and contact our service team		
Platform lowers too slowly or jerkily	Contaminated lowering valve	Clean lowering valve
	Valve for lowering speed set incorrectly	Set
Lifting platform lowers by itself	Leaking hydraulic connections	Retighten connections if necessary
	Leaking hydraulic lines	Replace hydraulic line
	Leaking hydraulic cylinder	Replace and clean the seals of the hydraulic system
	Dirty or defective lowering valve	Clean or replace the lowering valve
	Leaking check valve	Clean or replace
Other Problems		
Lifting platform does not raise or lower synchronously	Air in hydraulic circuit	Bleed the hydraulic circuit
	Synchronising cables not tight enough	Adjust the tension or the synchronicity
Product shows (heavy) rust damage	Damage or lack of corrosion protection, possibly maintenance	Remove rust, clean and restore surface.
Abnormal motor volume	Dirty oil filter	Clean the oil filter
	Air in hydraulic circuit	Bleed the hydraulic system
	Contaminated hydraulic oil	Change the hydraulic oil
Circuit breaker has been activated	Check the contact on the contactor	Replace the contactor
	Check the capacity of circuit breakers	Replace the fuses
	Check for damage to the cable	Replace the cable
ALWAYS USE ORIGINAL PARTS AND ACCESSORIES.		

4.6 Maintenance and Service Instructions



All maintenance and service work should be carried out at least according to the maintenance schedule

COMPRESSED AIR MAINTENANCE UNIT (Partial stock if necessary for the activity)

SETTING THE WORKING PRESSURE:

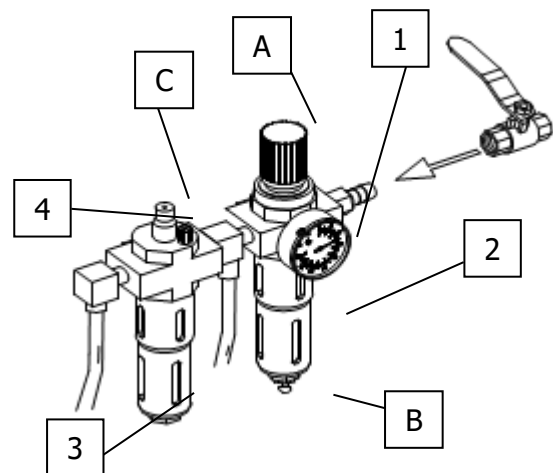
- Check the working pressure displayed by the manometer (1). This must correspond to the technical data.
- The working pressure can be adjusted with a pressure regulator (A).
- Pull the pressure regulator upwards to make adjustments.
- Turn the knob clockwise to increase the pressure in the machine, turn it counter clockwise to decrease.

OILER

- Check the oil level in the oil reservoir (3).
- Remove the oil reservoir.
- Now refill the tank with a pneumatic oil with a viscosity of SAE20.
- Check the injection quantity of the oil through the viewing glass (4).
- Generally, the screw must be closed completely in a clockwise direction and then opened again about $\frac{1}{4}$ to $\frac{1}{2}$ turn by turning it counter clockwise.

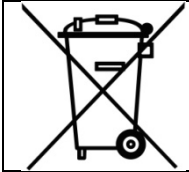
WATER SEPARATOR

- Check the water level in the separator (2).
- Water is drained when the valve (B) is opened.



4.7 Disposal

- Remove the air and power supply.
- Remove all non-metallic substances and store them in accordance with local regulations.
- Remove the oil from the machine and store it in accordance with local regulations.
- Recycle all metallic substances.



The machine contains some substances that can pollute the environment and cause harm to the human body if not handled correctly.

5.0 EG-/EU-KONFORMITÄTSERKLÄRUNG / EC-/EU-DECLARATION OF CONFORMITY

gemäß Maschinenrichtlinie 2006/42/EG, Anhang II 1A, EMV-Richtlinie 2014/30/EU, Anh. IV
In accordance to Machine Directive 2006/42/EG, Appendix II 1A, EMC Directive 2014/30/EU, App. IV

Seriennummer
Serial number

Firmenbezeichnung und vollständige Anschrift des Herstellers
Business name and full address of the manufacturer

ATH-Heinl GmbH & Co. KG
Gewerbepark 9
DE – 92278 Illschwang

Name und Anschrift des Dokumentations-Bevollmächtigten
Name and address of the Technical Files authorized representative

ATH-Heinl GmbH & Co. KG
Gewerbepark 9
DE – 92278 Illschwang

Hiermit erklären wir, dass die nachfolgend bezeichnete Maschine in der von uns in Verkehr gebrachten Ausführung den einschlägigen, grundlegenden Sicherheits- und Gesundheitsanforderungen der EG-Richtlinie 2006/42/EG sowie den unten aufgeführten Harmonisierungsrechtsvorschriften entspricht.

We herewith declare that the machine described below, as a result have been brought on to the general market comply with the relevant fundamental Safety and Health regulations of the of Directive 2000/60/EC and the harmonized standards listed below.

Beschreibung der Maschine *Descriptions of the machine*

Hebebühne für Fahrzeuge *Car lift*

Typbezeichnung
Model name

ATH Frame Lift 30F

Der oben beschriebene Gegenstand der Erklärung erfüllt die folgenden einschlägigen Harmonisierungs-Rechtsvorschriften der Union

The object of the declaration described above meets the following applicable Community harmonisation legislation

Richtlinie 2006/42/EG, EU-Abl. L157/24 vom 09.06.2006
Richtlinie 2014/30/EU, EU-Abl. L 96/79 vom 29.03.2014

Folgende harmonisierten Normen und Vorschriften wurden eingehalten

The following harmonized standards and regulations are applied

DIN EN 1493:2010 (Machine-Directive)
DIN EN 60204-1: 2006+A1:2009 (Low voltage directive)

Prüfinstitut
Institute of Quality

TÜV Rheinland Industrie Service GmbH
Alboinstraße 56, 12103, Berlin Germany


Referenznummer der technischen Daten
Reference number for the technical data

01/205/0970/20 certification body for machinery NB 0035

Nummer des Zertifikats
Number of the certificate

01/205/0970/20

ATH-Heinl GmbH & Co. KG
Gewerbepark 9
DE – 92278 Illschwang
April 2012



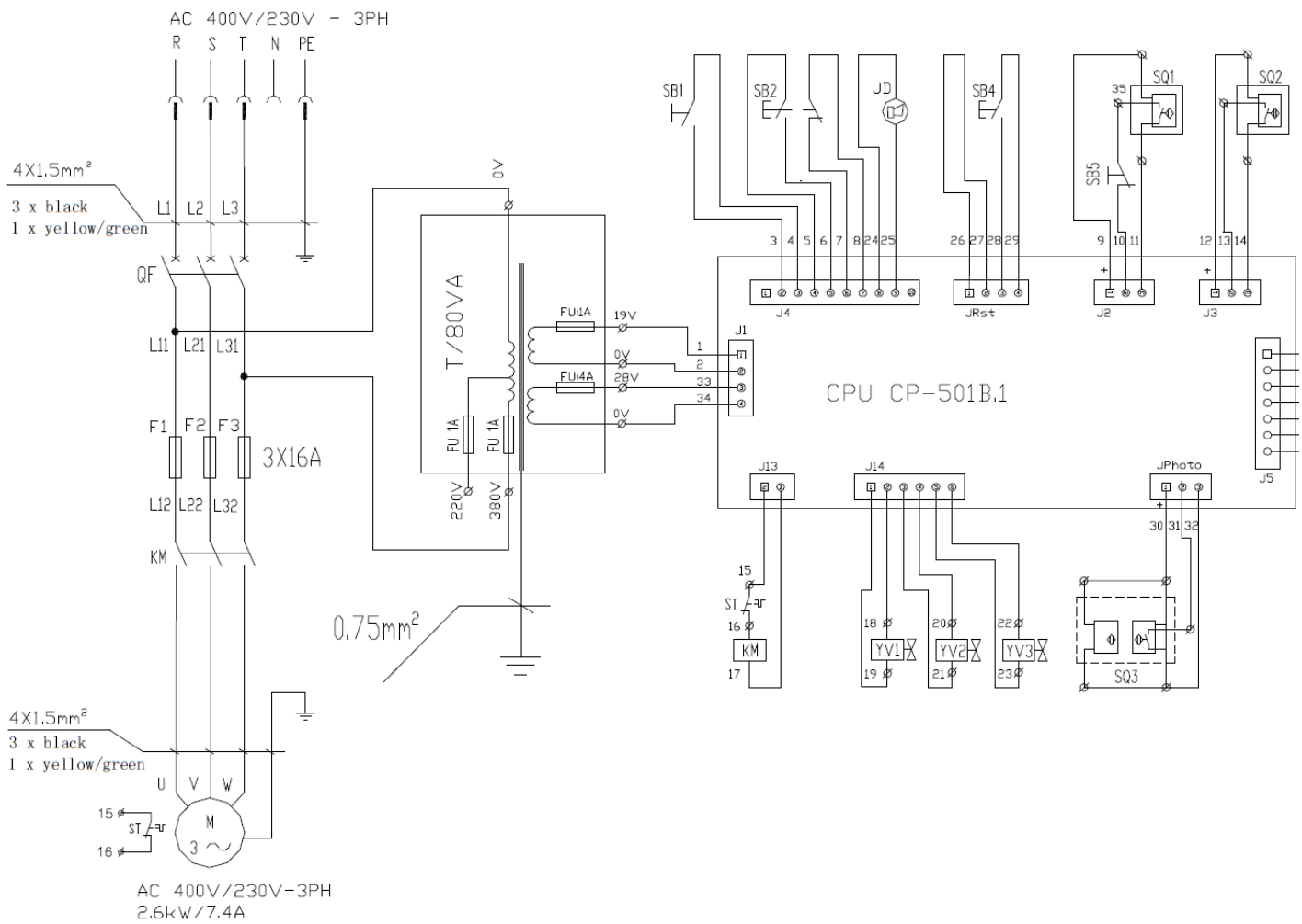
Hans Heinl
(Geschäftsführer / *General Manager*)

DURCH UMBAUTEN UND/ODER VERÄNDERUNGEN AN DER MASCHINE WIRD DIE CE-PRÜFUNG AUSSER KRAFT GESETZT UND EINE HAFTUNG AUSGESCHLOSSEN.
BY MODIFICATION AND / OR CHANGES TO THE MACHINE, THE CE EXAMINATION IS EXCLUDED WITHOUT LIMITATION AND A LIABILITY SHALL BE EXCLUDED.

6.0 APPENDIX

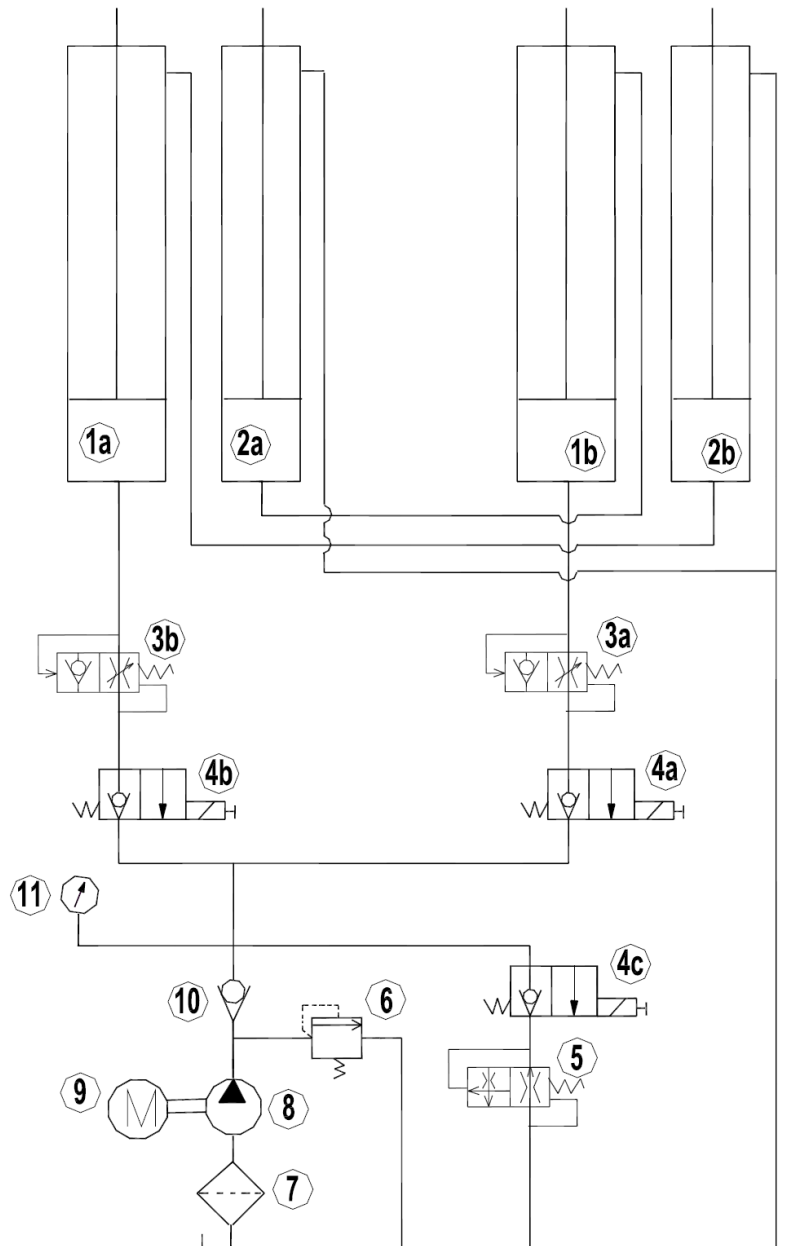
6.1 Pneumatic circuit diagram Not relevant!

6.2 Electric circuit diagram



QF	Power switch	M	Motor	ST	Thermal relay
T	Transformer 80VA	KM	Contactor DC	YV1	Lowering solenoid valve
YV2	Safety solenoid valve – P1	YV3	Safety solenoid valve– P2	SB1	Lifting button
SB2	Lowering/final lowering button	SB4	Photocell pass-by button	SB5	Override button
SQ1	Top limit switch	SQ2	Safety height limit switch	SQ3	Photocell
JD	Beeper				

6.3 Hydraulic circuit diagram



1a	Platform P1 master cylinder	1b	Platform P2 master cylinder	2a	Platform P1 slave cylinder
2b	Platform P2 slave cylinder	3a	Parachute valve - P2	3b	Parachute valve - P1
4a	Safety solenoid valve – P2	4b	Safety solenoid valve – P1	4c	Lowering solenoid valve
5	Lowering control valve	6	Maximum pressure valve	7	Oil filter
8	Gear pump	9	Motor	10	Non return valve
11	Pressure gauge				

7.1 Scope of the Product Warranty

- Five years for the devices structure
- Power supplies, hydraulic cylinders and all other wear components such as turntables, rubber plates, ropes, chains, valves, switches, etc., are limited to one year under normal circumstances/use under warranty conditions.


The warranty does not extend to:

- Defects caused by normal wear and tear, misuse, transport damage, improper installation, tension or lack of required maintenance.
- Damage caused by neglect or failure to follow the instructions in this manual and/or other accompanying instructions.
- Normal wear and tear on parts requiring service to keep the product in safe working condition.
- Any component that has been damaged during transport.
- Other components that have not been explicitly listed but are considered to be general consumables.
- Water damage caused by e.g. rain, excessive humidity, corrosive environments or other contaminants.
- Blemishes that do not affect function.

**WARRANTY IS NOT VALID,
IF THE WARRANTY CARD WAS NOT SENT TO ATH-HEINL.**

Damage and malfunctions caused by non-compliance with maintenance and adjustment work (according to operating instructions and/or training), faulty electrical connections (rotating field, rated voltage, protection) or improper use (overload, outdoor installation, technical changes) are excluded from the warranty!

8.0 INSPECTION LOG

	<p>This inspection manual (including log) is an important part of the operating instructions and product.</p> <p>!!!PLEASE STORE CAREFULLY!!!</p>
---	---

Check

The product must be checked after completion of the installation, handover, if necessary briefing and then regularly in accordance with the applicable regulations and legal provisions in the country of operation by a suitable and approved company or facility.

In the case of changes or extensions to the product type, an additional inspection book must be maintained and accepted.

Scope of Inspection




In addition to perfect function, cleanliness and maintenance requirements, it is vital that the safety-relevant components of the entire system are checked.

Technical Data

- Please refer to the enclosed operating instructions.

Nameplate

- Make a note of all the data below
- Manufacturer & type of mounting materials used:

	
Typ Type	Volt
Serien # Serial #	Ph
Baujahr Year of built	Hz
	Amp.
	kW
 	<p>Designed by ATH-Heinl Germany Manufactured in China</p> <p>ATH-Heinl GmbH & Co. KG Gewerbepark 9 D 92278 Illschwang Germany</p>

8.1 Installation and Handover Log

Site:

Company:

Street:

Town:

Country:

Device / system:

Manufacturer:

Type / model:

Serial no.:

Year of
construction:

Responsible retailer:

The above product has been assembled, checked for function and safety and put into operation. Installation was carried out by:

 the operator the technical expert

The operator confirms that the product type has been set up correctly, that he/she has read and understood all information contained in these operating instructions and the log, and that he/she keeps this documentation accessible to the instructed operator at all times.

The operator confirms that after installation and commissioning by a person trained by the manufacturer or an authorised dealer (expert), instruction in the function, handling, safety-relevant specifications, maintenance and care of the machine has taken place, documents, information and specifications of the machine have been provided and the product is working properly.

IMPORTANT NOTES:**IF THE ABOVEMENTIONED POINTS ARE NOT FULFILLED, THE WARRANTY CLAIM IS EXCLUDED:**

The warranty is only valid in conjunction with compliance and evidence of proper assembly, handover, and if necessary training, as well as yearly maintenance carried out by an expert authorised by the manufacturer. The interval between services must not exceed 12 months. In case of non-standard use or multi-shift or seasonal use, a bi-annual inspection and maintenance must be arranged.

Warranty claims are only recognised if all points in the log and operating instructions have been met, the claim is asserted immediately after detection and **this log is sent to the manufacturer along with the maintenance and service logs.**

Further specific information about the warranty, such as scope, requirements and specifications, are described in the operating instructions and must be observed.

Damages and complaints caused by improper handling; failure to maintain and service; use of unsuitable or unspecified assembly, operating, maintenance or service products; mechanical damage; intervening in the unit without consultation or by an unauthorised expert are excluded from the warranty. For systems that have not been installed by an authorised expert, the warranty is limited by agreement of the manufacturer to the provision of the necessary spare parts.

Expert name and company stamp
if necessary, number and name of retailer

Date and expert signature

Operator name and company stamp

Date and operator signature

8.2 Inspection Plan

Nameplate				
Quick reference guide				
Operating instructions				
Safety label				
Operation label				
Other labels				
Construction (deformation, cracks)				
Fixing dowels and stability				
Condition of concrete floor (cracks)				
Condition / general condition				
Condition / cleanliness				
Condition / care and sealing				
Condition / liquids				
Condition / lubrication				
Condition / aggregate				
Condition / drive				
Condition / motor				
Condition / transmission				
Condition / cylinder				
Condition / valve				
Condition / electrical control				
Condition / electric buttons				
Condition / electric switches				
Condition / electric lines				
Condition / hydraulic lines				
Condition / hydraulic screws				
Condition / pneumatic lines				
Condition / pneumatic screws				
Condition / tightness				
Condition / bolts and bearings				
Condition / consumables				
Condition / covers				
Condition / functions under load				
Condition / safety-relevant components				
Condition / electrical safety device				
Condition / hydraulic safety device				
Condition / pneumatic safety device				
Condition / mechanical safety device				
Condition / functions under load				
Inspection sticker issued				

8.3 Visual inspection (authorised expert)

Inspection Certificate
relating to a regular / extraordinary inspection / audit *)

The device has undergone a readiness test.
No / the following *) defects were found:

Inspection contents: functional and visual inspection according to specifications
Pending partial inspection:

There were no *) concerns arising from commissioning, an audit is not *) required.

(Place, date)

(Technical expert signature)

Confirmation of acceptance:

(Name of technical expert)

(Title)

(Address)

(Employed at)

Operator (company stamp, date, signature)

Faults noted **) _____

Faults remedied **) _____

*) Delete if not applicable
**) Confirmation of operator or a representative with date and signature

Visual inspection (authorised expert)

Inspection Certificate

relating to a regular / extraordinary inspection / audit *)

The device has undergone a readiness test.
No / the following *) defects were found:

Inspection contents: functional and visual inspection according to specifications
Pending partial inspection:

There were no *) concerns arising from commissioning, an audit is not *) required.

(Place, date)

(Technical expert signature)

Confirmation of acceptance:

(Name of technical expert)

(Title)

(Address)

(Employed at)

Operator (company stamp, date, signature)

Faults noted **) _____

Faults remedied **) _____

*) Delete if not applicable
**) Confirmation of operator or a representative with date and signature

Visual inspection (authorised expert)

Inspection Certificate relating to a regular / extraordinary inspection / audit *)

The device has undergone a readiness test.
No / the following *) defects were found:

Inspection contents: functional and visual inspection according to specifications
Pending partial inspection:

There were no *) concerns arising from commissioning, an audit is not *) required.

(Place, date)

(Technical expert signature)

Confirmation of acceptance:

(Name of technical expert)

(Title)

(Address)

(Employed at)

Operator (company stamp, date, signature)

Faults noted **) _____

Faults remedied **) _____

*) Delete if not applicable

**) Confirmation of operator or a representative with date and signature

Visual inspection (authorised expert)

Inspection Certificate

relating to a regular / extraordinary inspection / audit *)

The device has undergone a readiness test.
No / the following *) defects were found:

Inspection contents: functional and visual inspection according to specifications
Pending partial inspection:

There were no *) concerns arising from commissioning, an audit is not *) required.

(Place, date)

(Technical expert signature)

Confirmation of acceptance:

(Name of technical expert)

(Title)

(Address)

(Employed at)

Operator (company stamp, date, signature)

Faults noted **) _____

Faults remedied **) _____

*) Delete if not applicable
**) Confirmation of operator or a representative with date and signature

